

|       |              |
|-------|--------------|
| brand | <b>FLYMO</b> |
|-------|--------------|

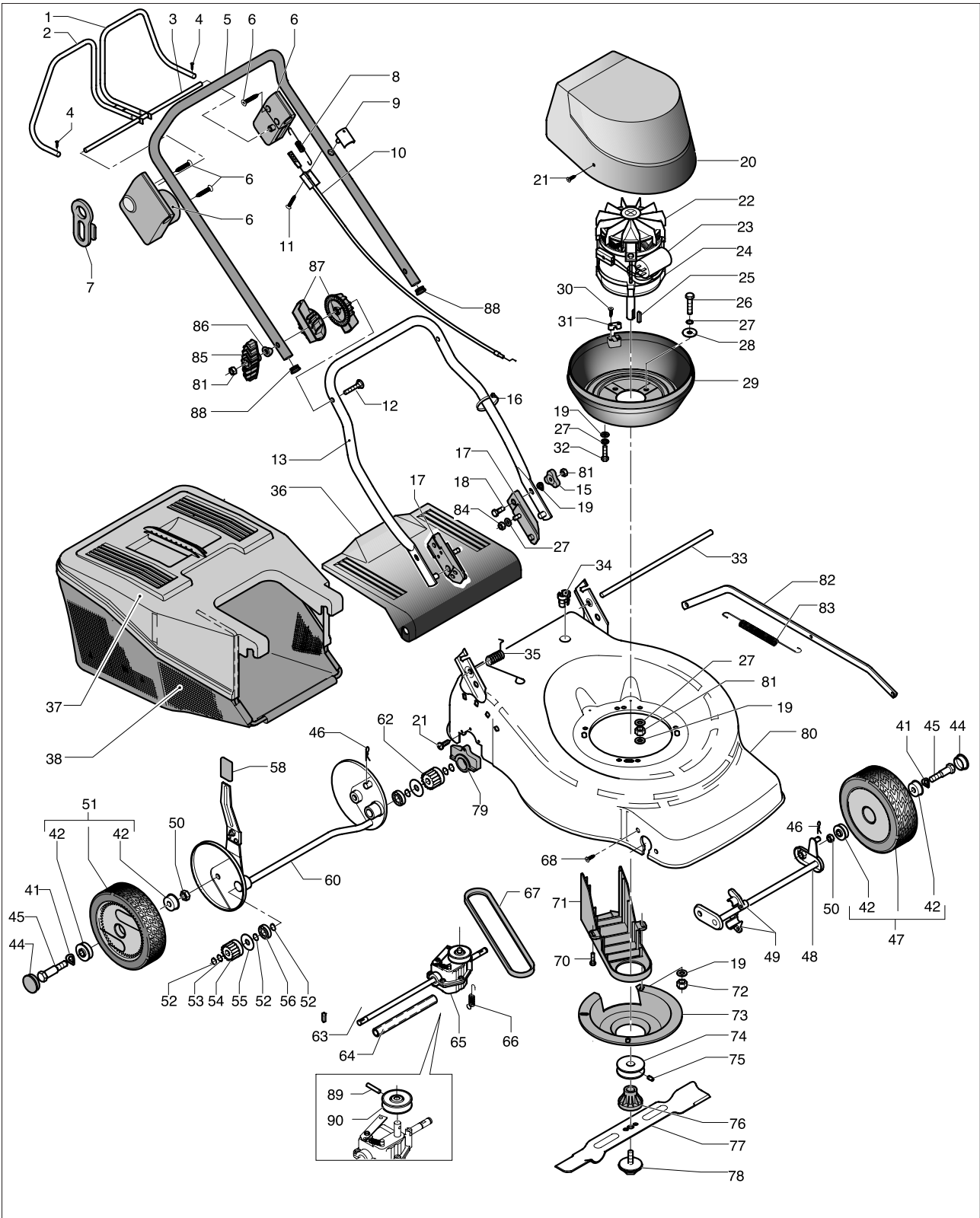
|      |        |           |
|------|--------|-----------|
| date | MAR/03 | SHEET 1/3 |
|------|--------|-----------|

Model

|                   |
|-------------------|
| <b>FL 460 DEL</b> |
|                   |
|                   |

Product number

|                  |
|------------------|
| <b>953878208</b> |
|                  |
|                  |



|       |              |
|-------|--------------|
| brand | <b>FLYMO</b> |
|-------|--------------|

|      |        |           |
|------|--------|-----------|
| date | MAR/03 | SHEET 2/3 |
|------|--------|-----------|

Model

|                   |
|-------------------|
| <b>FL 460 DEL</b> |
|                   |
|                   |

Product number

|                  |
|------------------|
| <b>953878208</b> |
|                  |
|                  |

| Pos. | PN ELX    | PN MEP   | DESCRIPTION          | Q.ty | NOTE                      |
|------|-----------|----------|----------------------|------|---------------------------|
| 1    | 531206003 | 10146393 | clutch handle        | 1    |                           |
| 2    | 531205995 | 10146293 | switch lever         | 1    |                           |
| 3    | 531206004 | 10146403 | tie rod              | 1    |                           |
| 4    | 531206006 | 10146420 | screw                | 2    | TCTC D.3,9x13 FZ          |
| 5    | 531211005 | 10146903 | upper handle         | 1    |                           |
| 6    | 531207082 | 10398400 | switch               | 1    | 9,5A                      |
| 7    | 531207051 | 10393103 | cable hook           | 1    |                           |
| 8    | 531206005 | 10146410 | spring               | 1    |                           |
| 9    | 531205978 | 10146203 | cable lock           | 1    |                           |
| 10   | 531205990 | 10146250 | cable                | 1    | 1040/1154                 |
| 11   | 531208217 | 20135730 | screw                | 1    | TC.TC 2F D 5x25           |
| 12   | 531205842 | 10141270 | screw                | 2    | TTSQ M8X75 (Z.) GAMBO D.8 |
| 13   | 531206040 | 10146803 | handle lower         | 1    |                           |
| 15   | 531204923 | 10114303 | knop                 | 2    |                           |
| 16   | 531205581 | 10135600 | clamp                | 1    | 160X4,5                   |
| 17   | 531207045 | 10391303 | support              | 2    |                           |
| 18   | 531207071 | 10396600 | screw                | 2    | TE M8x30 UNI 5739-8,8-ZB  |
| 19   | 531204922 | 10114200 | washer               | 9    | 8x16x1,5 ZB               |
| 20   | 531210796 | 1013551V | motor housing        | 1    |                           |
| 21   | 531208216 | 20135720 | screw                | 4    | TCTC 2F D.5x16 AC         |
| 22   | 531208001 | 20117683 | cooling fan          | 1    | 14,3                      |
| 23   | 531207721 | 10781700 | capacitor            | 1    | 20MF                      |
| 24   | 531207685 | 10740000 | motor                | 1    | 1800W                     |
| 25   | 531207041 | 10384800 | key                  | 1    | 4x4x22                    |
| 26   | 531207044 | 10390800 | screw                | 3    | TE M8x40 UNI 5737-8,8-ZB  |
| 27   | 531207981 | 20106200 | washer               | 12   | D.8E DIN 6798             |
| 28   | 531204904 | 10066300 | washer               | 3    | 8x24x2                    |
| 29   | 531207069 | 10396303 | motor housing bottom | 1    |                           |
| 30   | 531207065 | 10396100 | screw                | 2    | TCTC 3,9x22 FIX ZB        |
| 31   | 531207043 | 10389103 | cable lock           | 1    | D.8/5                     |
| 32   | 531208586 | 20385300 | screw                | 4    | TE M8x25 UNI 5739-8,8-ZB  |
| 33   | 531205060 | 10120530 | tie rod              | 1    |                           |
| 34   | 531205557 | 10135413 | cable lock           | 1    |                           |
| 35   | 531205999 | 10146330 | spring               | 1    |                           |
| 36   | 531205981 | 1014621V | deflector            | 1    |                           |
| 37   | 531210785 | 1014611V | sack frame upper     | 1    |                           |
| 38   | 531208306 | 20146303 | grass catcher        | 1    |                           |
| 41   | 531206644 | 10275100 | washer               | 4    | UNI8840-B12(13/24/0,8)    |
| 42   | 531205214 | 10121900 | ball-bearing         | 8    |                           |
| 44   | 531210795 | 1011480V | plug                 | 4    |                           |
| 45   | 531205042 | 10120090 | screw                | 4    |                           |
| 46   | 531206653 | 10281400 | cotter pin           | 2    | 1,8 x 33                  |
| 47   | 531210793 | 0914128V | wheel                | 2    | D170/26                   |

|       |              |
|-------|--------------|
| brand | <b>FLYMO</b> |
|-------|--------------|

|      |        |           |
|------|--------|-----------|
| date | MAR/03 | SHEET 3/3 |
|------|--------|-----------|

Model

|                   |
|-------------------|
| <b>FL 460 DEL</b> |
|                   |
|                   |

Product number

|                  |
|------------------|
| <b>953878208</b> |
|                  |
|                  |

| Pos. | PN ELX    | PN MEP   | DESCRIPTION    | Q.ty | NOTE                       |
|------|-----------|----------|----------------|------|----------------------------|
| 48   | 531205051 | 10120290 | axle           | 4    |                            |
| 49   | 531205057 | 10120473 | support        | 4    |                            |
| 50   | 531207978 | 20101700 | nut            | 2    | M10 H8 UNI 5588-6S ZB      |
| 51   | 531210794 | 0917262V | wheel          | 2    | D190/26                    |
| 52   | 531208772 | 20655800 | seeger         | 6    | D.12E DIN 471              |
| 53   | 531208859 | 20761300 | washer         | 1    | D.12,4x17x0,3              |
| 54   | 531205045 | 10120160 | pinion         | 2    | DX                         |
| 55   | 531207847 | 10831200 | washer         | 2    | D.12/34/0,7 ZB             |
| 56   | 531208778 | 20657600 | ball-bearing   | 1    | D.12/28/8 6001/2RS         |
| 58   | 531207986 | 20107203 | sheating       | 1    |                            |
| 60   | 531205101 | 10121090 | axle           | 1    |                            |
| 62   | 531205046 | 10120170 | pinion         | 1    | SX                         |
| 63   | 531205108 | 10121160 | key            | 2    | "S" 5x5(-0,05 ) x19,2 DIAG |
| 64   | 531207693 | 10766103 | spacer tube    | 1    | 12x284                     |
| 65   | 531204755 | 09767400 | gear-box       | 1    |                            |
| 66   | 531206182 | 10155210 | spring         | 1    |                            |
| 67   | 531207280 | 10548500 | belt           | 1    | Z 27 3L 285                |
| 68   | 531208844 | 20734900 | screw          | 4    | TCTC 4,3x16 FIX ZB         |
| 70   | 531207856 | 10831800 | screw          | 3    | TEFR 5x10 ZB               |
| 71   | 531205047 | 10120183 | belt housing   | 1    |                            |
| 72   | 531208599 | 20404900 | nut            | 3    | M8 H10 UNI7473-ZB          |
| 73   | 531206007 | 10146433 | safety housing | 1    |                            |
| 74   | 531205994 | 10146280 | pulley         | 1    |                            |
| 75   | 531205998 | 10146320 | screw          | 1    | M5X10 UNI 5929-67          |
| 76   | 531211645 | 10173163 | blade adapter  | 1    |                            |
| 77   | 531211652 | 10173170 | blade          | 1    |                            |
| 78   | 531211594 | 10152913 | screw          | 1    |                            |
| 79   | 531205944 | 10146093 | support        | 2    |                            |
| 80   | 531210828 | 1017268V | deck           | 1    |                            |
| 81   | 531207982 | 20106300 | nut            | 7    | M8 H8 UNI 5587-6S ZB       |
| 82   | 531205069 | 10120653 | rod            | 1    |                            |
| 83   | 531205056 | 10120460 | spring         | 1    |                            |
| 84   | 531206618 | 10240300 | nut            | 2    | M8 H5 UNI 5589-6S ZB       |
| 85   | 531205840 | 10141253 | knop           | 2    | 8M                         |
| 86   | 531205841 | 10141263 | washer         | 2    | D.8                        |
| 87   | 531205839 | 10141243 | support        | 4    | D.22                       |
| 88   | 531208950 | 20833303 | plug           | 2    |                            |
| 89   | 531207703 | 10768400 | resilient pin  | 1    |                            |
| 90   | 531208899 | 20768203 | pulley         | 1    |                            |